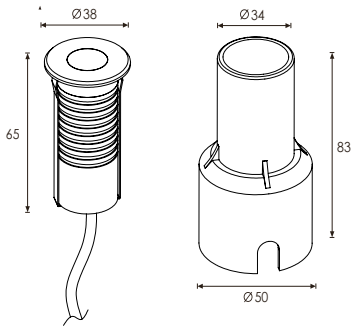


Inground Light Diffuser Tiny Type LED TAURUS



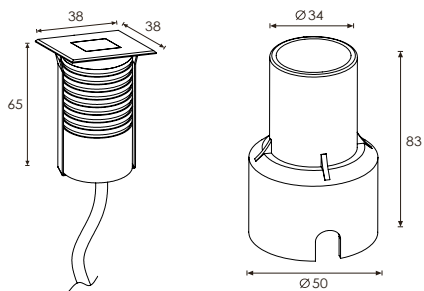
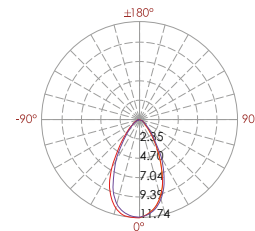
Hard chromeplated Stainless steel SUS 316L
12# Die-casting grey powder coated aluminum.
T=60-80µm Adhesion of ISO class 1/ASTM class 4B



Mounting sleeve 032#

334 135		
LED Power	Colour Temp	Luminous
24V - 0,6 W	2000K	11,0 lm
	3000K	9,60 lm
	6000K	

LIGHT DISTRIBUTION



Mounting sleeve 032#

334 136		
LED Power	Colour Temp	Luminous
24V - 0,6 W	2000K	11,0 lm
	3000K	9,60 lm
	6000K	

LIGHT DISTRIBUTION

